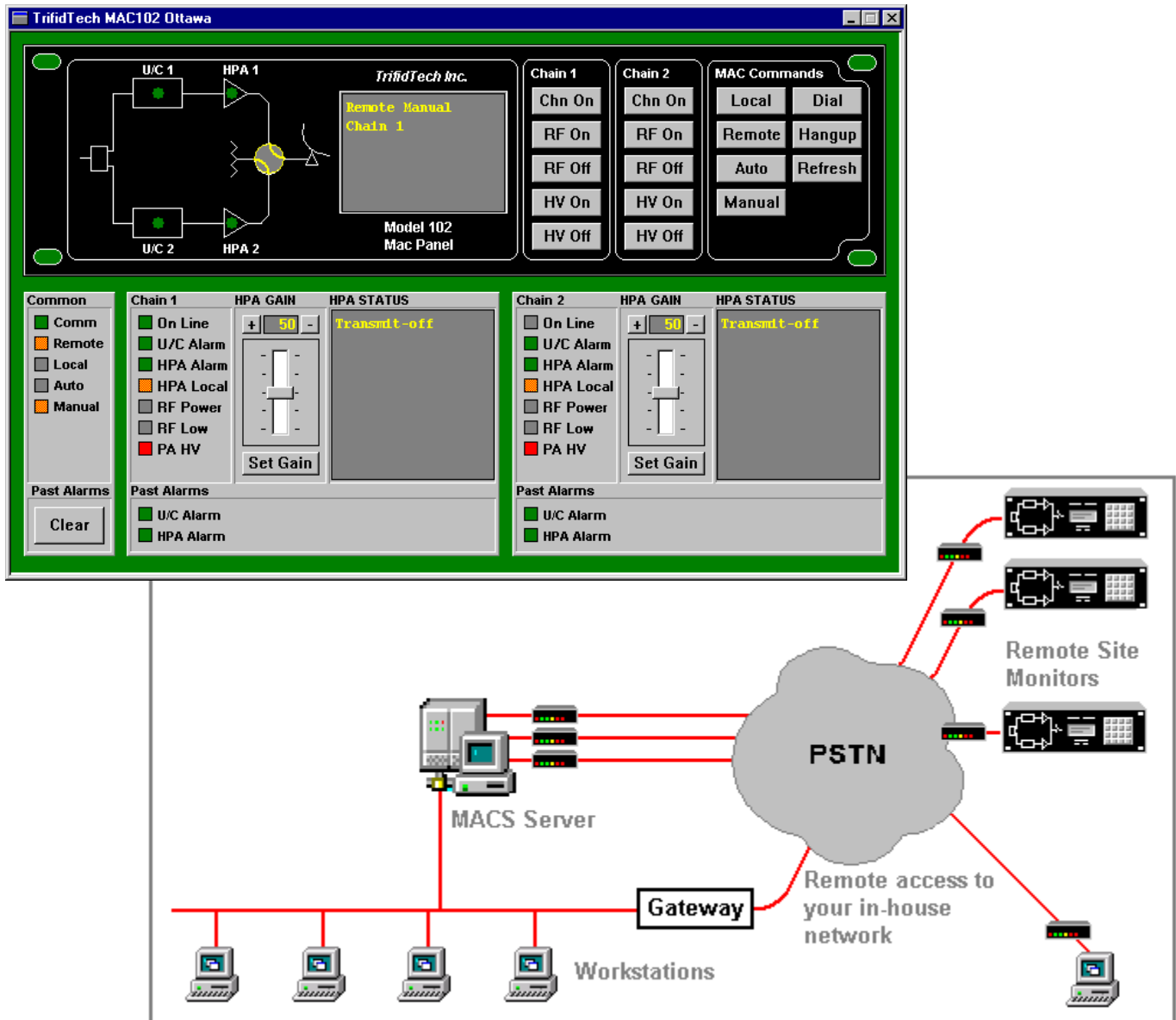




**Micus Real Time Software Inc.**  
5863 Leslie St. Suite 127  
Toronto, Ontario  
M2H 1J8  
Canada  
Tel: (416) 493 3623  
Fax: (416) 502 9083  
E-mail: [mikeb.micus@sympatico.ca](mailto:mikeb.micus@sympatico.ca)

## MICUS ALARM AND CONTROL SYSTEM (MACS) REMOTE SITE MONITORING USING TrifidTech MAC102 PANEL



The TrifidTech Model MAC102 panel has been designed specifically for the operation of a small earth satellite station. It has functions to monitor and control two upconverters, two HPAs and a waveguide switch. MAC102 panels installed in remote locations are accessed using modem connections.

The *Micus Alarm and Control System (MACS)* MAC102 equipment module supports all remote control and monitoring features offered by the MAC102 panels. These features include:

- Remote access via modem lines
- Programmable status polling intervals
- MAC102 front panel mimic
- Switching between main and standby chains
- Switching RF power on and off
- Switching on and off HPA high voltage
- Switching between MAC102 local and remote mode of operation
- Switching between MAC102 automatic and manual protection mode
- Dial, hang up and status refresh modem controls
- Past alarms indication and clear button
- HPA gain control
- On line status for each chain
- Upconverter summary alarms
- HPA summary alarms
- HPA in local indication
- RF power status and low RF power indication
- High voltage status
- HPA status description reported by MAC102

MACS provides full multi-user access to the remote MAC102 panels over a TCP/IP LAN and WAN network. In addition, optional MACS modules automatically send alphanumeric pager messages, open trouble tickets upon detecting equipment failure, and fully integrate MAC102 panels with other equipment used in heterogeneous environments.

MAC102 equipment module is immediately available from Micus Real Time Software Inc.