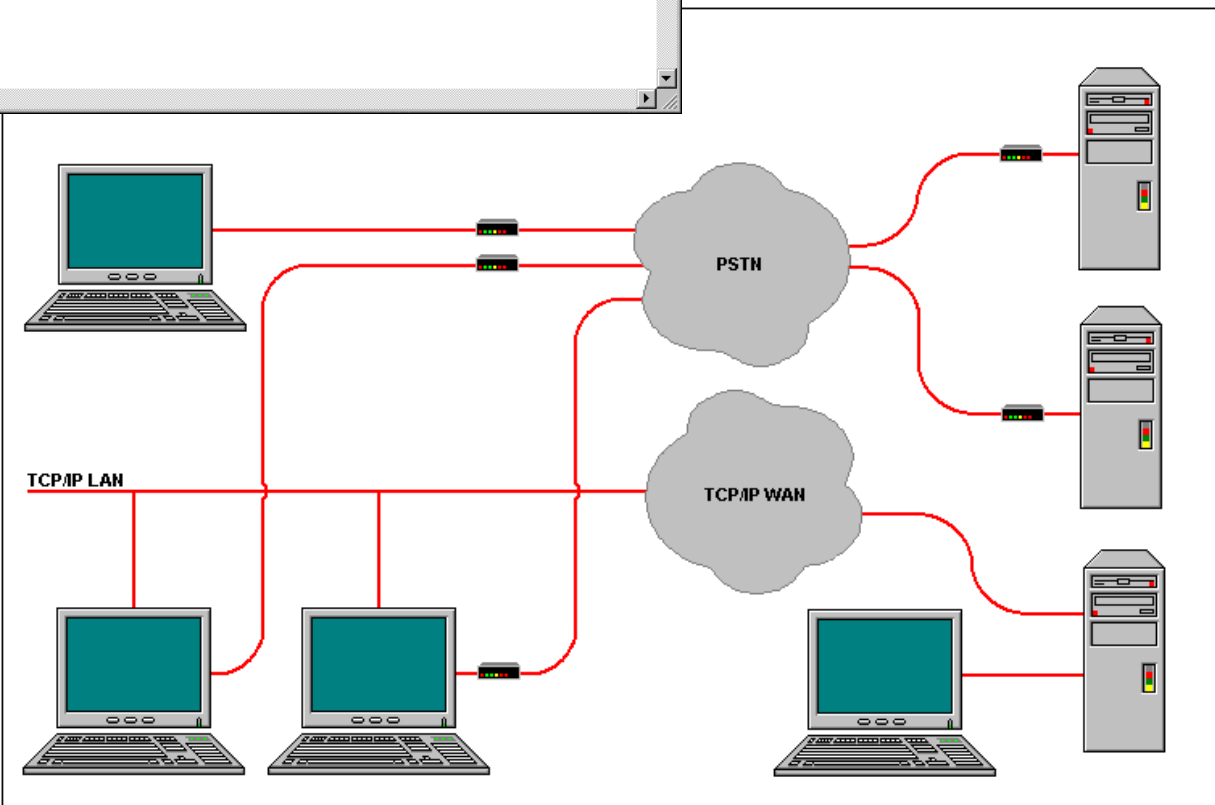
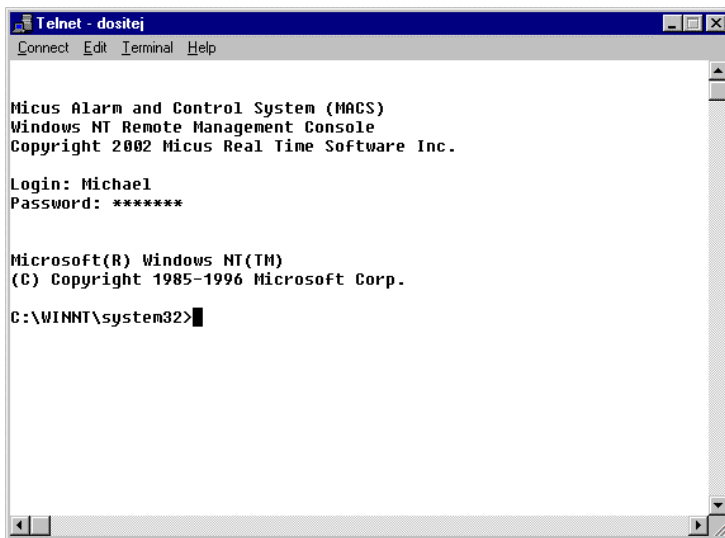




Micus Real Time Software Inc.
5863 Leslie St. Suite 127
Toronto, Ontario
M2H 1J8
Canada
Tel: (416) 493 3623
Fax: (416) 502 9083
E-mail: mikeb.micus@sympatico.ca

MICUS ALARM AND CONTROL SYSTEM (MACS) TELNET FOR WINDOWS



Telnet is a networking protocol that allows users to connect to computers remotely through the network, and to execute commands exactly the same way as they are executed from the computer console. Telnet is very useful when managing computers installed in remote, unattended sites. Unfortunately, Microsoft Windows operating systems do not support inbound telnet connections. The MACS Telnet equipment module bridges that gap by allowing system administrators remote access to the computer console, either through the network or via a telephone line.

MACS Telnet equipment module provides a character based user interface to the Microsoft Windows operating system in two ways:

- Using dumb terminals connected to the Windows NT or Windows 2000 computer via serial ports. Both direct and modem connections are supported. Instead of dumb terminals, operators can also use terminal emulation programs running on their workstations.
- Using the TCP/IP Telnet protocol over a local or wide area network.

While configuring MACS Telnet, operators can specify:

- A list of serial ports to use for the serial port connections
- Computer name or IP address and protocol port to use for the network connections
- Login and password for each connection

MACS Telnet equipment module is immediately available from Micus Real Time Software Inc.